

American Kestrel, Screech-Owl, Northern Saw-whet Owl, Boreal Owl, Bufflehead



SUPPLIES NEEDED:

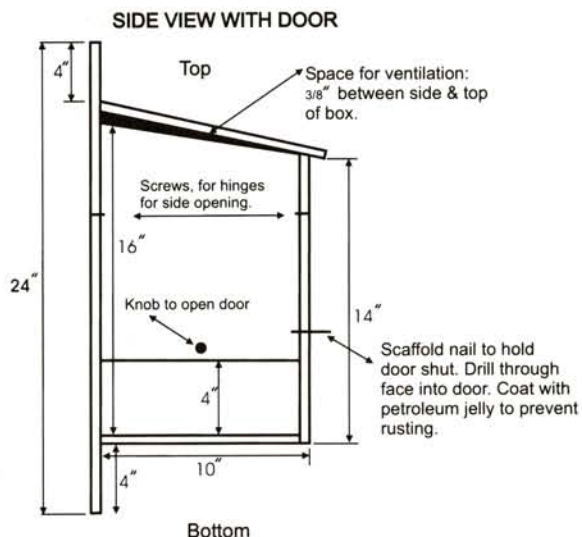
Use raw pine or cedar. Do not paint or treat with a wood preservative.

An outside perch is not necessary and may attract other species to the box.

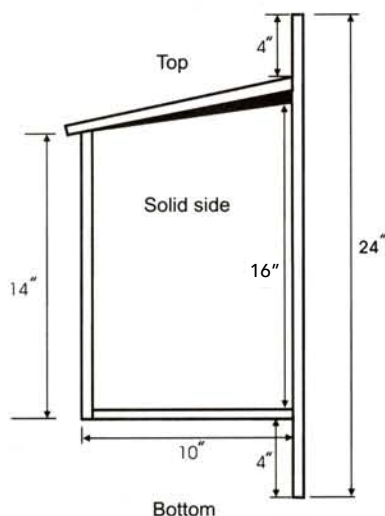
Use 1-5/8" galvanized deck screws for the box.

You can place a perch inside (using cutout from entrance) about three inches below entrance hole.

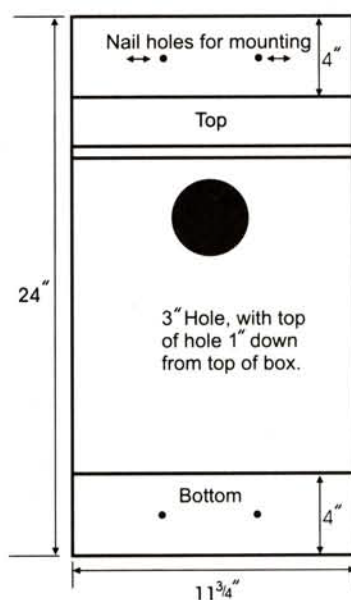
Place 2" of coarse wood shavings (not sawdust) in bottom of box, each year before nesting season.



SIDE VIEW OTHER SIDE OF BOX



FRONT VIEW OF BOX



BOTTOM OF BOX

